



DESCRIPTION

The AA88043 is a complete analog signal processor for CCD application. The signal chain for the AA88043 consists of a correlated double sampler (CDS), a digitally controlled variable gain amplifier (VGA), and a black level clamp. The AA88043 offers 10-bit ADC resolution. It features a 25 MHz single-channel architecture designed to sample and conditions the outputs of interlaced and progressive scan area CCD arrays.

FEATURES

- Single Supply Operation: 3.0 V to 3.3 V
- 25MSPS correlated double sampler (CDS)
- 6dB to 40dB 10-bit variable gain amplifier
- Low noise optical black clamp circuit
- Preblanking function
- 10-bit,25MSPS A/D converter
- 3-wire serial digital interface
- Space-saving QFN 32L 5 mm × 5 mm package

BLOCK DIAGRAM

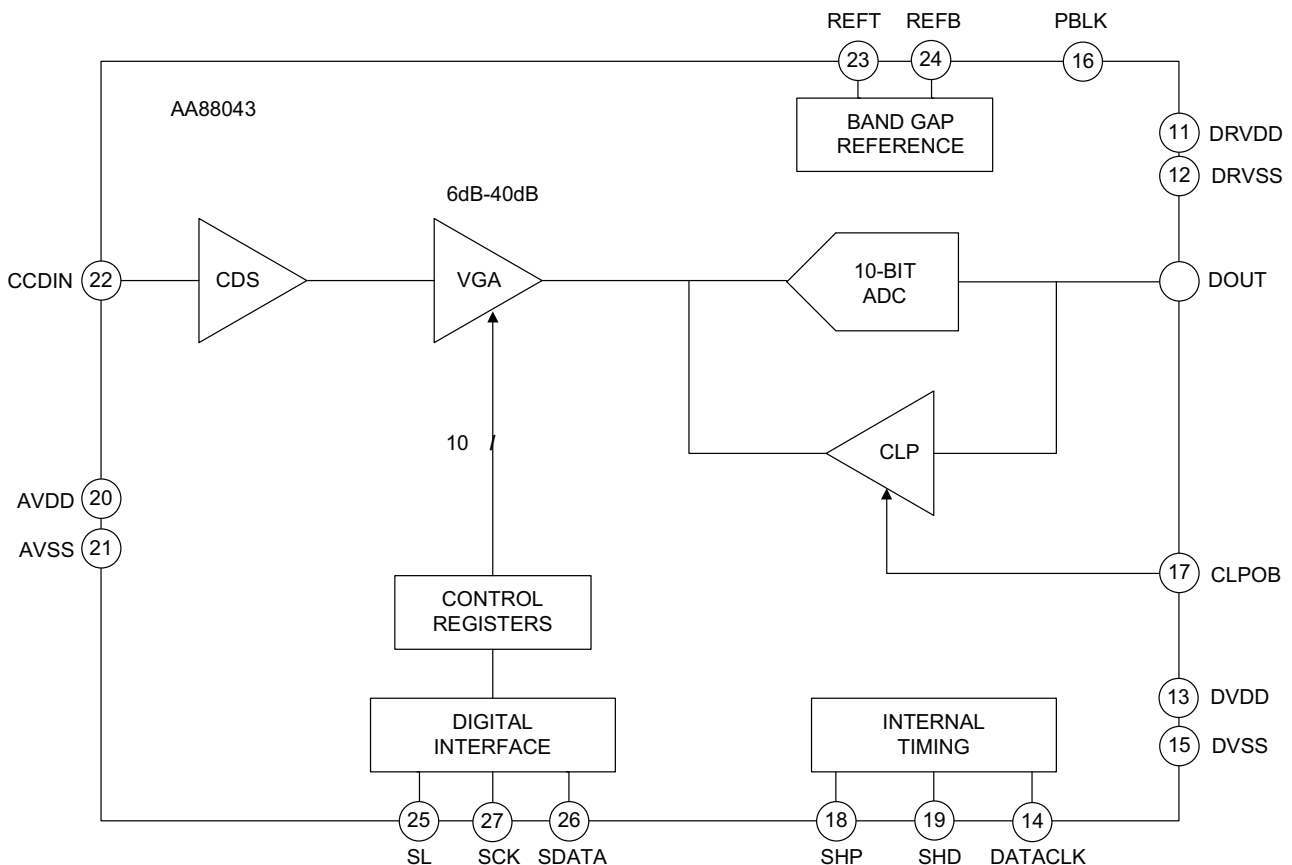


Figure 1. Functional Block Diagram